

HDMI OVER CAT5e BOX

USER INSTRUCTION

WIREFORLD®
CABLE TECHNOLOGY



HDMI OVER CAT5e

BOX

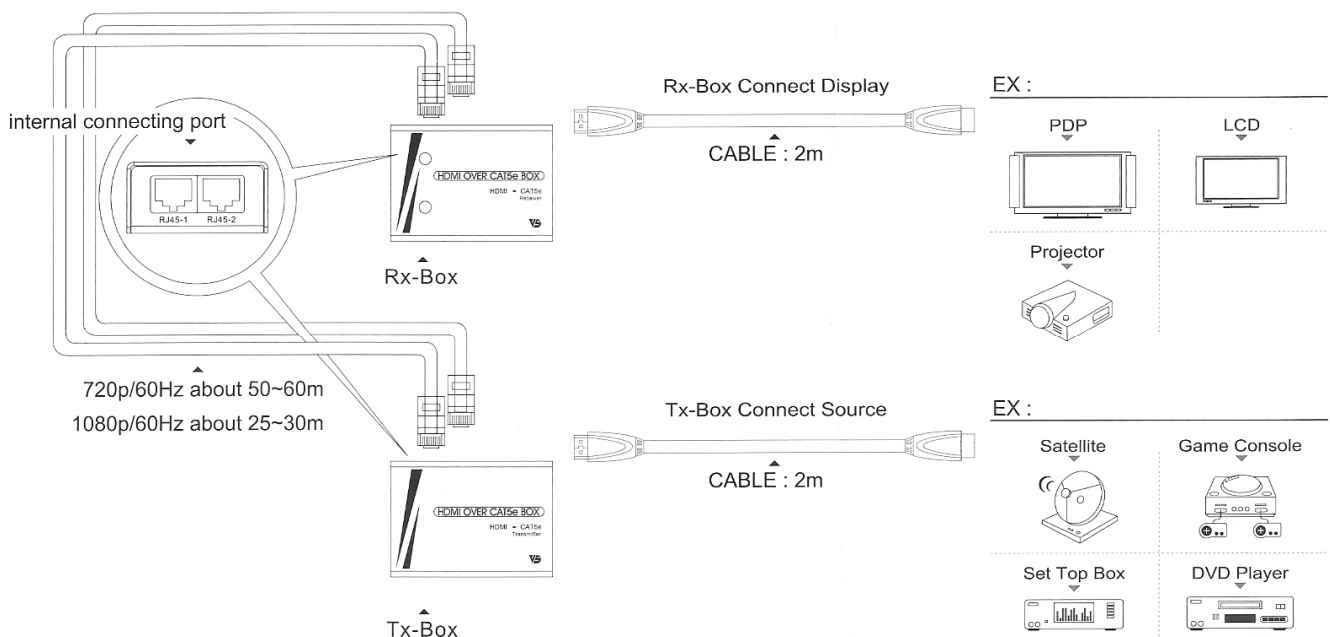
USER INSTRUCTION

Features

- ① Built-in T.M.D.S signal amplifier(Repeater function)
- ② Complied with HDTV and PC resolutions
- ③ HDMI™ (V.1.3 with Deep Color)
- ④ Complied with HDCP (High-bandwidth Digital Content Protection)
- ⑤ Easily installed without software
- ⑥ Converts HDMI signals for transmission over standard CAT5e / 6 / 7 cables

Connecting Instruction

- ① RJ45-1 connect to RJ45-1
- ② RJ45-2 connect to RJ45-2



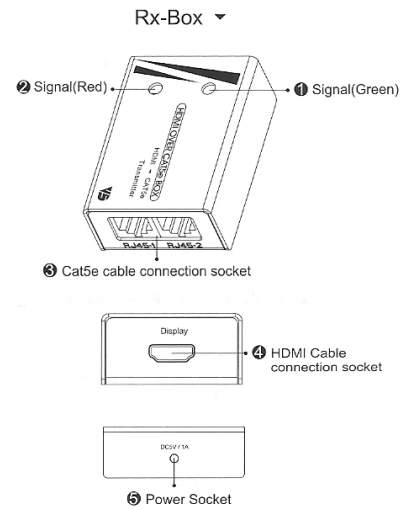
❗ The different hardware with different cables will effect the capability of HDMI Over Cat5e Box, please test before installing.

HDMI OVER CAT5e BOX

USER INSTRUCTION

Function

- Green light indicator for normal operation
- Red light indicator for malfunction (please refer to Troubleshooting)
- Cat5e Cable connection socket
- HDMI Cable connection socket
- Power Socket



Installation

- Connecting Tx-Box and Rx-Box ; All through internal Cat5e connecting port.
 - Connecting "Display" to the signal display only.(ex:PDP . Projector...)
 - Connecting "Source" to the signal source only.(ex:DVD Player . STB...)
 - Turn on the display power then the signal source power.
- ❗ Connecting the external power to Rx-Box will improve no image in screen

Troubleshooting

If HDMI Over Cat5e is not normal function , please see the troubleshooting for the signal light

Rx-Box		Status	Solution
Green light	Red light		
on	---	Image normal ; but no voice	Changed to the shorter cable
on	on	1.No connecting of signal display. 2.Red light flash : The power of signal display is off. 3.Red light flash : Cable is too long	1.Re-connecting the signal display. 2.Turn on the power of signal display. 3.Changed to the shorter cable
---	on	Connecting wrong position with Tx-Box and Rx-Box or no connecting signal source cable	Re-connecting the position with Tx-Box and Rx-Box or Re-connecting signal source cable.
---	---	The power of the input and output is off.	Turn on the power of input and output
---	---	No connecting the source and display cable.	Re-connecting the source and display cable

Specification

	Tx-Box	Rx-Box
Equalizer Performance	---	40dB at 1.65Gbps
Resolutions	480i / 480p / 720p / 1080i / 1080p	
LED	Signal	1
	Caution	1
Interface	Input	HDMI TYPE A x1
	Output	RJ45 Jack x 2
Weight	125g	126g
Dimension(mm)	67(L)x48(W)x24(H)	67(L)x48(W)x24(H)

Note

- Rx-Box With Built-in repeater function for connection to display unit only.
- Tx-Box without repeater function for connection to source unit only.